

## QUOTATION

Universal Steelworker  
2 cylinder hydraulic universal steelworkers  
with 5 work stations for 2 operator use.

# TECHNA-FAB

## Model Q35Y-30



*The picture is an example only*

**All metalworking machinery is fully supported by our In-House service team, we have probably the largest independent dealer service team specialising in metalwork machinery in the UK, warranty cover, service, repair, breakdown, call out's, ongoing telephone support, operator 'machine function' training 'experienced, reliable, professional'**

View our website

[jps-machinery.co.uk](http://jps-machinery.co.uk)

## Q35Y Multi Steelworker Specification – ‘Standard’ Machine

The **TECHNA FAB** Model **Q35Y** is Universal ‘multi’ purpose hydraulic steel working machine for punching, shearing, cropping, notching of steel plates, structural steel profiles & general fabrication workshop materials

The **TECHNA FAB** Model **Q35Y** Frame is all steel welded construction

The machine is supplied with standard equipment and accessories as listed below.

Suitable for operation on **415v/3Ph/50Hz** supply.

### Standard Equipment

All of the **Q35Y** Multi machines come with **5** work stations, fully guarded as standard

- **Punch Station**  
Easy system for changing the punch & die, with swing away material stripper.
- **Section Cutting Station**  
Blades for cutting round and square bars, with ‘**optional extra equipment**’ in this station, the steelworker can cut channel, H beams, joist, T-sections
- **Angle Station**  
Cropping angle iron every angle between 45° and 90°, both internal and external.
- **Shearing**  
7° blade angle for cutting thick or thin material
- **Notching Station**  
This station as standard is equipped with a rectangular notch unit.

### Standard Equipment

- Material support tables at Punch, Notch, Cropping, Shear stations  
C/W Measure strips. Material positioning stops
- Easy change Punch Holder, Die holder
- Blades for:  
cropping angle | round & square | shearing flat bar | Rectangular Notching
- Adjustable Hold Downs for Shear, Angle and Section Stations
- 2 number x shielded remote wandering foot pedal control
- **JPS Machinery Ltd** standard warranty, **1** years, parts & labour warranty

**Supported by JPS Machinery Ltd service team**



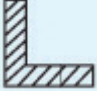
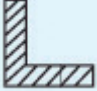


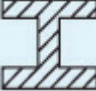

Operators instruction manual, CE certificate

View our website

[jps-machinery.co.uk](http://jps-machinery.co.uk)

## Capacities & Technical Data – ‘Standard’ Machine

Steel Max Tensile Strength	<b>450 (N/mm<sup>2</sup>)</b>
Max Punch Pressure (Tonnage)	<b>160</b>
Max punch capacity (mm) diameter x thickness	<b>35 Ø thru 30 mm</b>
Max Shearing capacity (mm) width x thickness	<b>355 x 30 600 x 20</b>
Rectangular Notching (mm)	<b>80 x 100 x 10</b>
Hydraulic cylinder max stroke (mm)	<b>80</b>
Number of strokes (cpm)	<b>20</b>
Throat depth (mm)	<b>600</b>
Main motor (Kw)	<b>11</b>
Overall dimensions [ L x W x H ]	<b>2715 x 1100 x 2500</b>
Machine weight (Kg)	<b>6400</b>

STANDARD SPECIFICATION						OPTIONAL - EXTRA	
Round Bar	Square Bar	Equal Angle		T Bar		Profiles	
		Sheared @ 90°	Sheared @ 45°	Sheared @ 90°	Sheared @ 45°	IPE & IPN Joist	UPN Channel
							
65	55 x 55	180 x 180 x 16	60 x 60 x 6	125 x 125 x 14	TBA	TBA	TBA

<b>STANDARD MACHINE PRICE – Ex works Leeds [exc vat]</b>	<b>£ POA</b>
--	--------------

### ‘Optional Extra’ Equipment

‘Touch & Cut’ back gauge with **1000** mm stroke £ 262.00

‘Lo-Vo’ light £ 151.00

IPE | IPN | UPN Profiles Bolster & cutting Blades £ POA

### After Sales Support

To be a **JPS Machinery Ltd** customer guarantees reliable response for any warranty or technical issues, operator **‘machine function’** assistance via telephone support, or a call out