

QUOTATION

Universal Steelworker
2 cylinder hydraulic universal steelworkers
with 5 work stations for 2 operator use.

TECHNA-FAB

Model Q35Y-16

"All
equipment
supported by
our service
team"



1
YEAR
WARRANTY

The picture is an example only

All metalworking machinery is fully supported by our In-House service team, we have probably the largest independent dealer service team specialising in metalwork machinery in the UK, warranty cover, service, repair, breakdown, call out's, ongoing telephone support, operator 'machine function' training 'experienced, reliable, professional'

View our website

jps-machinery.co.uk

Q35Y Multi Steelworker Specification – ‘Standard’ Machine

The **TECHNA FAB** Model **Q35Y** is Universal ‘multi’ purpose hydraulic steel working machine for punching, shearing, cropping, notching of steel plates, structural steel profiles & general fabrication workshop materials

The **TECHNA FAB** Model **Q35Y** Frame is all steel welded construction

The machine is supplied with standard equipment and accessories as listed below.

Suitable for operation on **415v/3Ph/50Hz** supply.

Standard Equipment

All of the **Q35Y** Multi machines come with **5** work stations, fully guarded as standard

- **Punch Station**
Easy system for changing the punch & die, with swing away material stripper.
- **Section Cutting Station**
Blades for cutting round and square bars, with ‘**optional extra equipment**’ in this station, the steelworker can cut channel, H beams, joist, T-sections
- **Angle Station**
Cropping angle iron every angle between 45° and 90°, both internal and external.
- **Shearing**
7° blade angle for cutting thick or thin material
- **Notching Station**
This station as standard is equipped with a rectangular notch unit.

Standard Equipment

- Material support tables at Punch, Notch, Cropping, Shear stations
C/W Measure strips. Material positioning stops
- Easy change Punch Holder, Die holder
- Blades for:
cropping angle | round & square | shearing flat bar | Rectangular Notching
- Adjustable Hold Downs for Shear, Angle and Section Stations
- 2 number x shielded remote wandering foot pedal control
- **JPS Machinery Ltd** standard warranty, **1** years, parts & labour warranty

Supported by JPS Machinery Ltd service team



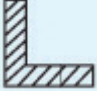
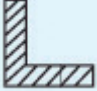


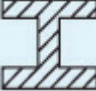

Operators instruction manual, CE certificate

View our website

jps-machinery.co.uk

Capacities & Technical Data – ‘Standard’ Machine

| | |
|---|-------------------------------|
| Steel Max Tensile Strength | 450 (N/mm²) |
| Max Punch Pressure (Tonnage) | 60 |
| Max punch capacity (mm) diameter x thickness | 16 Ø thru 25 mm |
| Max Shearing capacity (mm) width x thickness | 250 x 16 400 x 8 |
| Rectangular Notching | 80 x 100 x 10 |
| Hydraulic cylinder max stroke (mm) | 80 |
| Number of strokes (cpm) | 20 |
| Throat depth (mm) | 300 |
| Main motor (Kw) | 5.5 |
| Overall dimensions [L x W x H] | 1700 x 800 x 1900 |
| Machine weight (Kg) | 1800 |

| STANDARD SPECIFICATION | | | | | | OPTIONAL - EXTRA | |
|---|---|---|---|---|---|---|---|
| Round Bar | Square Bar | Equal Angle | | T Bar | | Profiles | |
| | | Sheared @ 90° | Sheared @ 45° | Sheared @ 90° | Sheared @ 45° | IPE & IPN Joist | UPN Channel |
|  |  |  |  |  |  |  |  |
| 45 | 40 x 40 | 125 x 125 x 10 | 40 x 40 x 4 | 70 x 70 x 8 | TBA | TBA | TBA |

| | |
|--|--------------|
| STANDARD MACHINE PRICE – Ex works Leeds [exc vat] | £ POA |
|--|--------------|

‘Optional Extra’ Equipment

‘Touch & Cut’ back gauge with **1000** mm stroke £ 262.00

‘Lo-Vo’ light £ 151.00

IPE | IPN | UPN Profiles Bolster & cutting Blades £ POA

After Sales Support

To be a **JPS Machinery Ltd** customer guarantees reliable response for any warranty or technical issues, operator **‘machine function’** assistance via telephone support, or a call out