

CENTAURO

OPTIONAL

- VAT
- SENS
- M
- NB
- VHZ



0°				45° →				60° →			
●	a	a	a	●	a	a	a	●	a	a	a
mm	b	b	b	mm	b	b	b	mm	b	b	b
Ø	axb	axb	axb	Ø	axb	axb	axb	Ø	axb	axb	axb
240	x	x	x	185	x	x	x	115	x	x	x
	240	280	260		175	180	165		110	110	110



CENTAURO



Semiautomatic Band Saw



MODEL	machine	pallet	box / cage
CENTAURO			
CENTAURO+VHZ			

Standard line voltages:
400V/50Hz/3Ph

Available line voltages:
230V/50Hz/3Ph - 220V/60Hz/3Ph - 440V/60Hz/3Ph

Available with an extra cost of € 150,00:
230V/50Hz/1Ph - 220V/60Hz/1PH

OPTIONALS	REF.	PRICE
Cutting angle display	VAT	
Blade rotation sensor	SENS	
Device for manual cutting	M	
One nozzle sprayer	NB 1	
Two nozzles sprayer	NB 2	
Laser lighting for cutting line	LX	
Bandsaw blades M42	2700x27x0,9	

ROLLER TABLES max load 300 Kg/m (h min 910 mm / h max 1000 mm)

Roller table with 2 legs 1m (initial) springs material loading system	RPM2G
Roller table with 1 leg 1m (following) springs material loading system	RPM1G

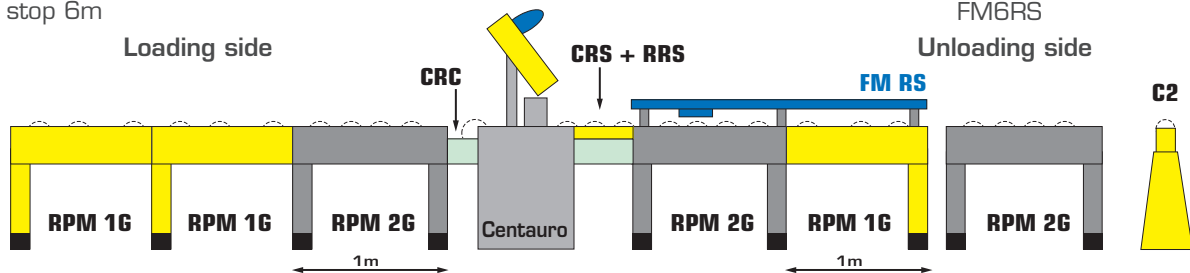
FRAME: roller 500 mm wide - max load 100 Kg (h min 840 mm / h max 1.015 mm)	C2
--	----

ROLLER TABLE - MACHINE CONNECTIONS

Loading side connection	CRC
Unloading side connection	CRS
Unloading side pull-out roller surface	RRS

LENGTH STOPS WITH ARTICULATED STRIKER

Length stop 1m	FM1RS
Length stop 2m	FM2RS
Length stop 3m	FM3RS
Length stop 4m	FM4RS
Length stop 5m	FM5RS
Length stop 6m	FM6RS



CUTTING CAPACITY

0°				45°				60°			
Ø mm	a x b mm	a x b mm	a x b mm	Ø mm	a x b mm	a x b mm	a x b mm	Ø mm	a x b mm	a x b mm	a x b mm
240	240x240	210x280	240x260	185	175x175	140x180	220x165	115	110x110	110x110	110x110

TECHNICAL CHARACTERISTICS

mm	m/1'	HP/KW	m/1'	HP/KW	HP/KW	HP/KW	KG	a x b x c mm	h±10 mm
2700x27x0,9	35-70	1,77 1,3	16±120	1,5 1,1	0,08 0,06	0,5 0,36	360	0,9x1,5x1,6	950
CENTAURO				CENTAURO+VHZ					

F.M.B. srl reserves the right to modify any data quoted above without previous notice - All quoted prices are VAT excluded.

OPTIONAL

VAT



VISUALIZZATORE ANGOLO DI TAGLIO
CUTTING ANGLE DISPLAY
VISUALISATION DE L'ANGLE DE COUPE
DIGITALANZEIGE FÜR WINKELGRADE
VISUALIZADOR ANGULO DE CORTE

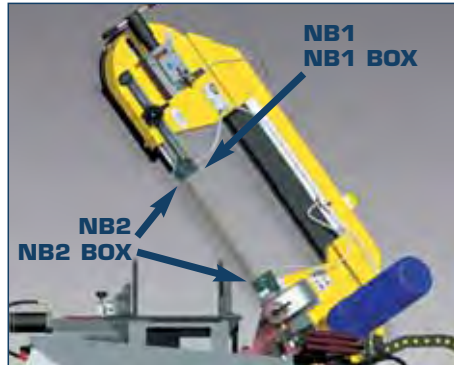
VAT PEGASUS



SENS



SENSORE ROTAZIONE NASTRO
BLADE ROTATION SENSOR
CONTRÔLE DE DEFILEMENT DU RUBAN PAR DETECTEUR
DREHZAHL-UEBERWACHUNG
CONTROL ROTURA DE LA HOJA



NEBULIZZATORE PER LA LUBRIFICAZIONE LAMA
SPRAYER FOR BLADE LUBRIFICATION
MICRO PULVERISATION DU RUBAN
MINIMAL-SCHMIERSYSTEM
NEBULIZADOR PARA LUBRIFICACION CINTA

RPM1



REGOLAZIONE PRESSIONE MORSA
VICE PRESSURE ADJUSTMENT
REGLAGE DE LA PRESSION DE SERRAGE DE L'ETAU
HUBBEGRENZUNG SPANNSTOCK
REGULACION PRESIÓN MORDAZA

DOTM



DISPOSITIVO OLEODINAMICO PER TAGLIO A PACCO
OLEODYNAMIC DEVICE FOR BUNDLE CUTTING
SERRAGE VERTICAL HYDRAULIQUE POUR PAQUETS
HYDRAULISCHE VERTIKALSPANNUNG FÜR BÜNDELSPANNUNG
APRIETE HIDRÁULICO VERTICAL

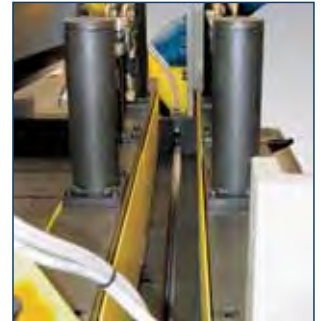
NB



NB BOX

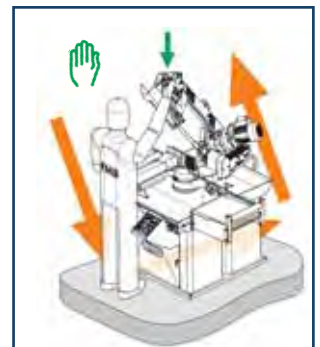


LX



ILLUMINAZIONE LINEA DI TAGLIO CON LASER
LASER LIGHTING FOR CUTTING LINE
PROJECTION DE LA LIGNE COUPE PAR LEASER
LASER-LICHT FÜR SCHNITTLINIE
VISUALIZADOR LINEA DE CORTE CON LASER

M



DISPOSITIVO PER IL TAGLIO IN MANUALE
DEVICE FOR MANUAL CUTTING
DISPOSITIF POUR COUPE MANUELLE
HANDBETRIEB
DISPOSITIVO PARA CORTE MANUAL

RULLIERE

ROLLER TABLES - TABLES A ROULEAUX
ROLLENBAHNEN
MESAS DE RODILLOS



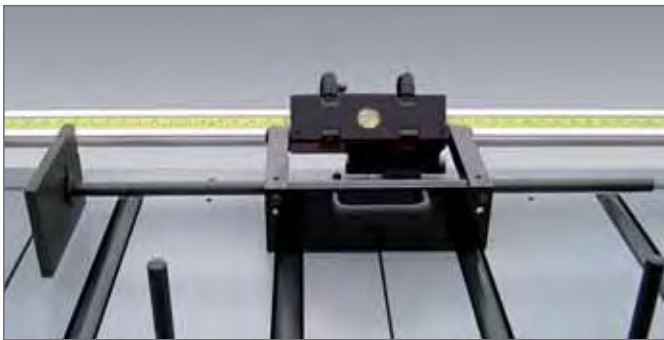
C2

H min = 850 mm
H max = 1020 mm

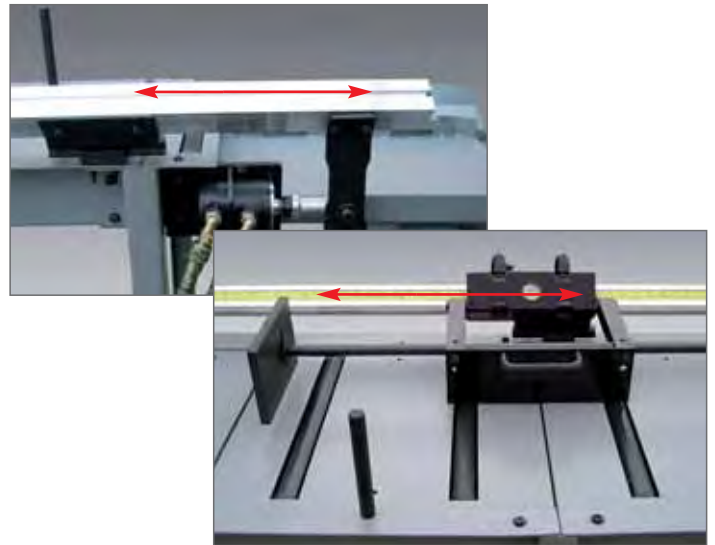
	FM-RS	FM - RI	FM-RSP	C2	CRC	CRS	RRS	RPM	RPP	RFPL	RFOL	MIN	CN 1M	CNP 1M
CENTAURO	S			C/S	C	S	S	C/S				S	S	
SIRIUS	S	S		C/S	C	S	S	C/S				S	S	
CYGNUS	S			C/S	C	S	S	C/S				S	S	
CALIPSO	S			C/S	C	S	S	C/S				S	S	
OMEGA	S	S		C/S	C	S	S	C/S				S	S	
MAJOR+VHZ	S	S		C/S	C	S	S	C/S				S	S	
GALACTIC+VHZ			S	C/S					C/S					S
SATURN+VHZ	S	S		C/S	C	S	S	C/S				S	S	
HERCULES+VHZ			S	C/S					C/S					S
PEGASUS+VHZ			S	C/S					C/S					S
PEGASUS DS+VHZ			S	C/S					C/S					S
ATALANTA+VHZ									C/S					
OLIMPUS 1											C/S			
OLIMPUS 2											C/S			
OLIMPUS 3											C/S			
PLUTON+VHZ										C/S				

C = LATO CARICO/LOADING SIDE - S = LATO SCARICO/UNLOADING SIDE

FM - RS



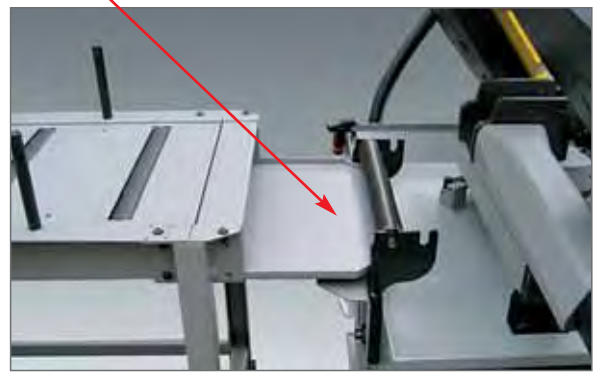
FM - RI



FM - RSP



CRC



CRS

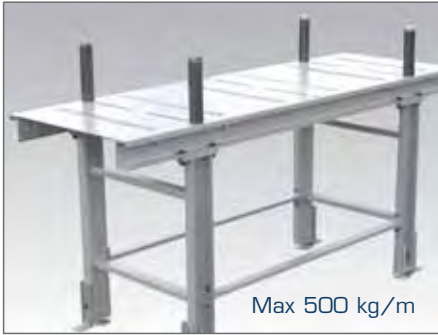


RRS



CRS

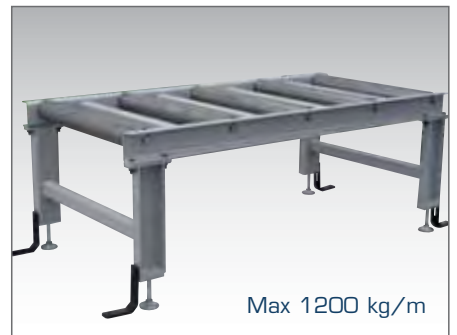
RFP



RFPL - PLUTON



RFOL - OLIMPUS



MN



CNP 1M



CN 1M



RPM1G/RPM2G - Max 300 Kg/m

