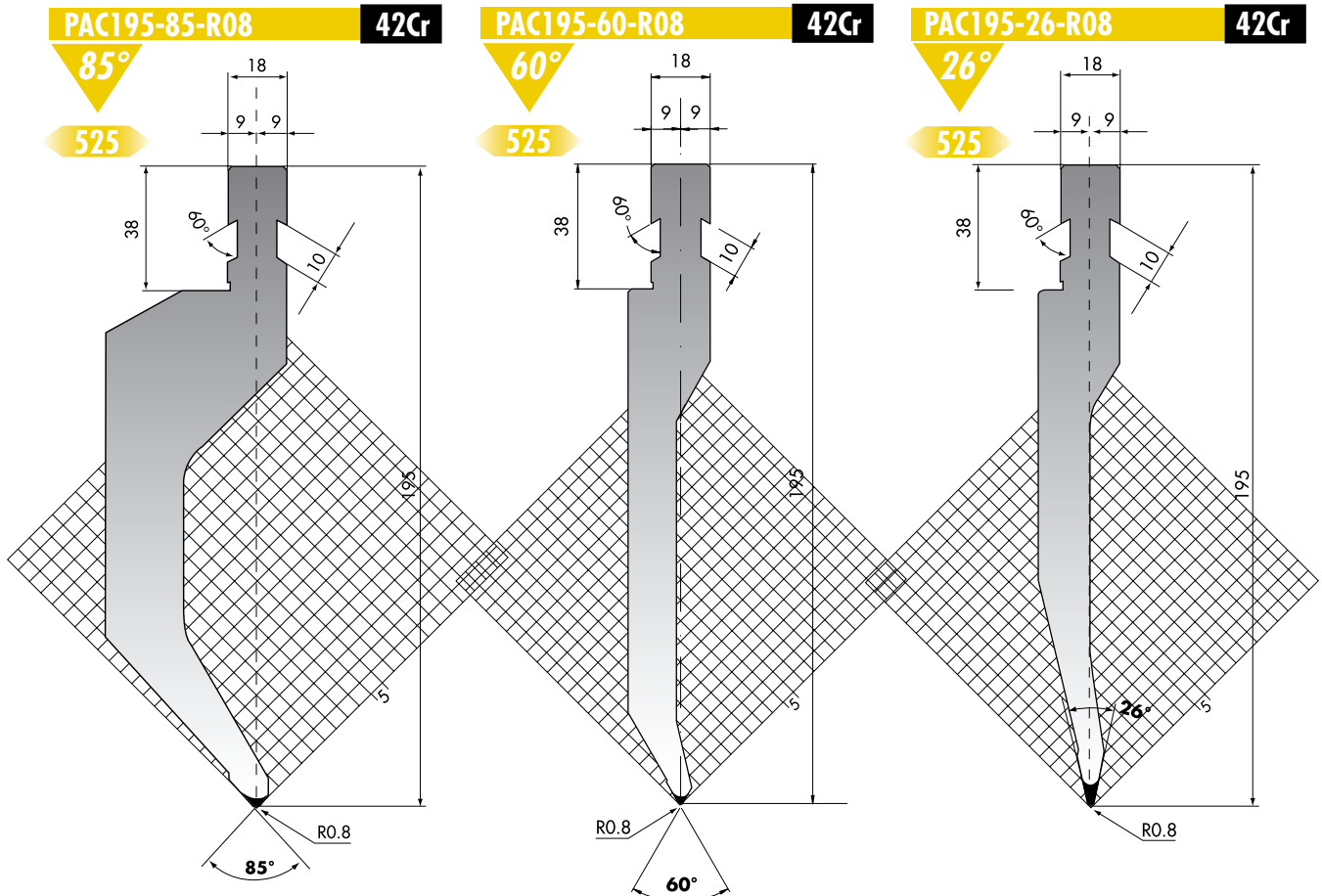


COLGAR TYPE

HRC 54-60 (1980->2200 N/mm²)



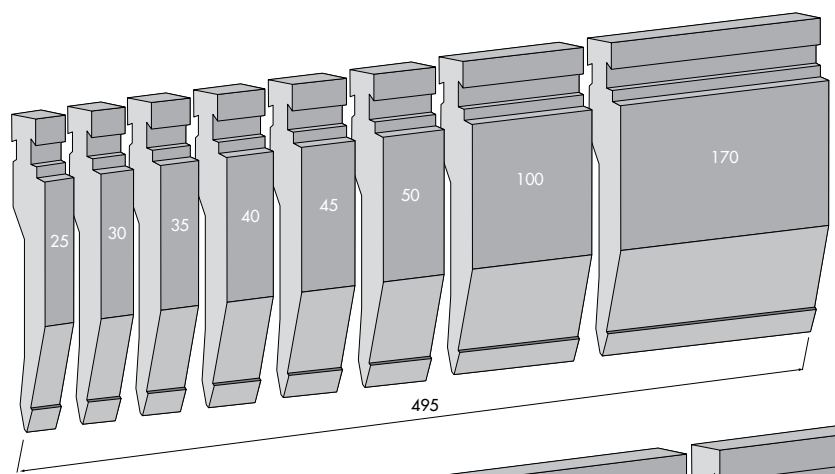
	max t/m
PAC195-85-R08	100

	max t/m
PAC195-60-R08	80

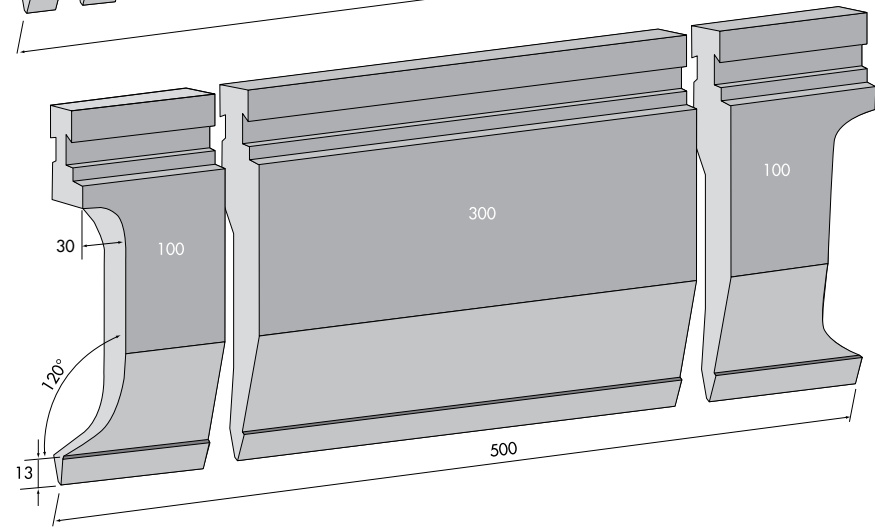
	max t/m
PAC195-26-R08	100

PAC

PAC195...../FA



PAC195...../FB



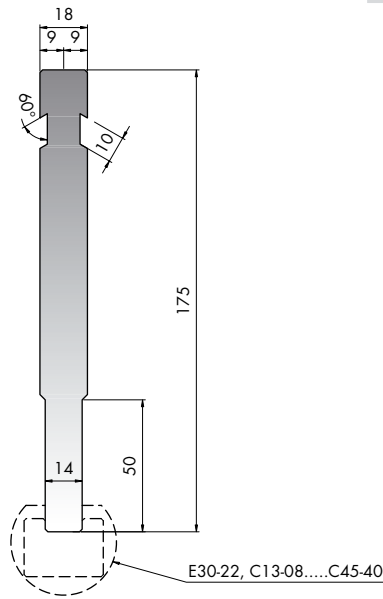
COLGAR TYPE

COLGAR TYPE

HRc 54-60 (1980->2200 N/mm²)

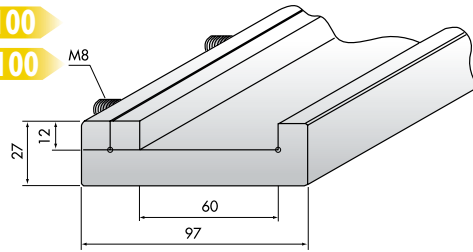
PAC175-14 C45

830
19



C2000/S C2500/S C3000/S C4000/S C45

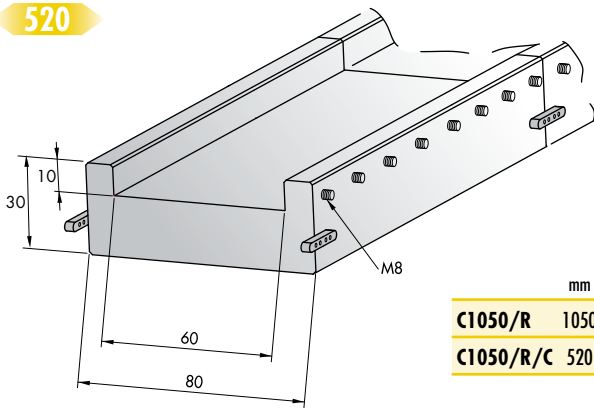
2100
2600
3100
4100



	mm
C2000/S	2100
C2500/S	2600
C3000/S	3100
C4000/S	4100

C1050/R C45

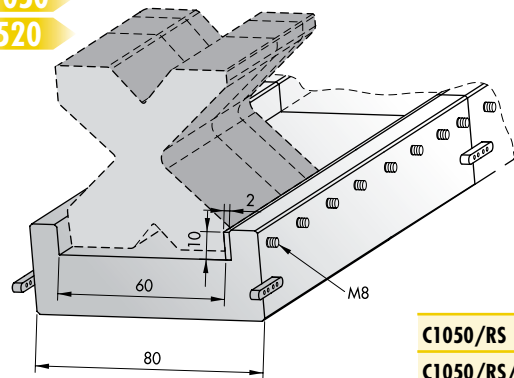
1050
520



	mm
C1050/R	1050
C1050/R/C	520

C1050/RS C45

1050
520

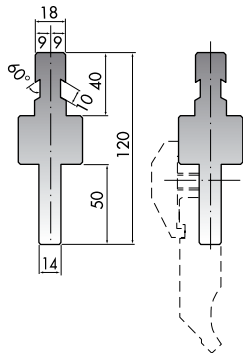


	mm
C1050/RS	1050
C1050/RS/C 520	

COLGAR TYPE

AD12 (COLGAR/PROMECAM-AMADA) C45

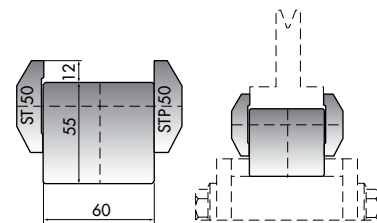
150



	max t/m
AD12	100

CTS60 (PROMECAM-AMADA) C45

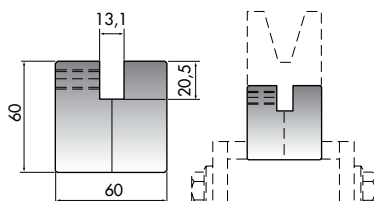
835
415



	mm
CTS60	835
CTS60/C	415

AD5 (PROMECAM-AMADA/TRUMPF-BEYELER) C45

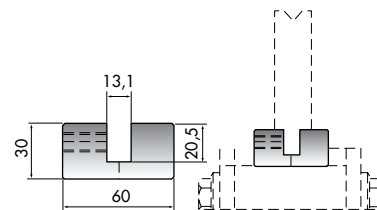
1000
500



	mm
AD5	1000
AD5/C	500

AD6 (PROMECAM-AMADA/TRUMPF-BEYELER) C45

1000
500



	mm
AD6	1000
AD6/C	500